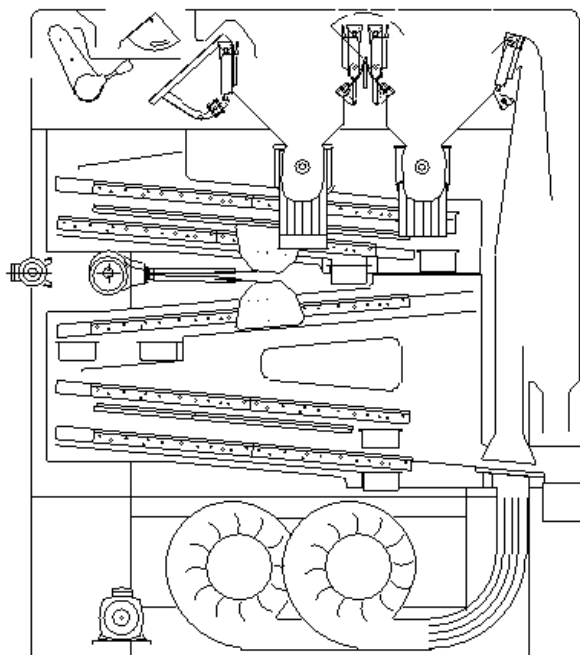


AIR-SCREEN CLEANER DELTA SUPER 105

GENERAL

Brand	Cimbria
Designation	Air-screen cleaner
Model	DELTA Super 105
Use	Industry
Application	Fine cleaning of cereal grains, grass seeds, pulses, oilseeds etc.



PERFORMANCE

Materials	Bulk density t/m ³	Moisture content %	Capacity t/h
Barley	0.68	14	6.5
Clover	0.82	14	3
Coffee, green	0.65	14	6
Maize	0.71	14	4-6
Oats	0.51	14	5
Peas, common	0.7	14	6
Rapeseed	0.74	7-9	5
Rice, paddy	0.51	14	3.5-4.5
Rice, white	0.75	14	6
Rye	0.69	14	6.5
Ryegrass	0.3	14	1.6
Sorghum	0.64	14	6.5
Soybeans	0.72	14	6
Sunflower	0.4	7-9	2.5-3.5
Wheat	0.76	14	7.5

Note: Capacities may vary for different impurity and moisture contents.

DIMENSIONS

Screen area, total	10 m ²
Screen size	1 250×800 mm (10 pcs)
Overall length	3 022 mm
Overall height	3 335 mm
Overall width	1 921 mm

WEIGHT

Weight, empty	3 160 kg
Weight, operating (wheat)	3 290 kg
Weight, choked (wheat)	5 810 kg

OPERATING SPEED

Shaker feeder (shaft)	140-700 rpm
Screens (shaft), fixed speed	280-285 rpm
Screens (shaft), variable speed	260-320 rpm
Aspiration fan, 2.2 kW motor	65-750 rpm
Aspiration fan, 3 kW motor	65-850 rpm

ELECTRICAL RATINGS

Motor, shaker feeder	0.75 kW
Motor, screens	1.5 kW
Motor, aspiration fan	2.2 kW or 3 kW
Control panel	110-230 V

AIR SUPPLY AND EXTRACTION

Aspiration volume	9 800 m ³ /h
-------------------	-------------------------

DYNAMIC LOADS

Horizontal load "Ph"	±2 515 N @ 4.6-4.8 Hz
Vertical load "Pv1" (inlet end)	±190 N @ 4.6-4.8 Hz
Vertical load "Pv2" (outlet end)	±190 N @ 4.6-4.8 Hz

Note: Dynamic loads are for normal operation.

NOISE

Sound pressure level, empty	79.3 dB(A)
-----------------------------	------------

COMPLIANCE

EU machinery legislation	Yes
EU ATEX legislation	Option*
EU food contact legislation	Option*

* Consult your Cimbria dealer for full details.

ENVIRONMENTAL CONDITIONS

Environment	Indoors
Temperature	From -20°C to +40°C
Altitude	Up to 800 m

SURFACE PROTECTION

Frame and enclosure	Paint (corrosivity category C2; low durability)
---------------------	---

LIFETIME

Intended life limit	20 years
---------------------	----------